

## 75 $\Omega$ TRIAXIAL CONNECTOR FOR BROADCASTING REDEL F SERIES



### REDEL F Series (75 $\Omega$ )

The REDEL F Series is a range of self-latching triaxial connectors specifically designed for TV cameras. The design of these connectors is particularly compact, they are easy to assemble and have an excellent electrical performance.

The REDEL F series is a 75  $\Omega$  connector that can be used for digital or analog signal transmission.

Available with crimp or solder central contact.

The connector guarantees a protection index of IP66 as per IEC 60529 standard. They are fully intermatable with the 1051 A004 Series.

These connectors are especially dedicated to the Nordic, Spanish and Asian market.



## Technical Characteristics

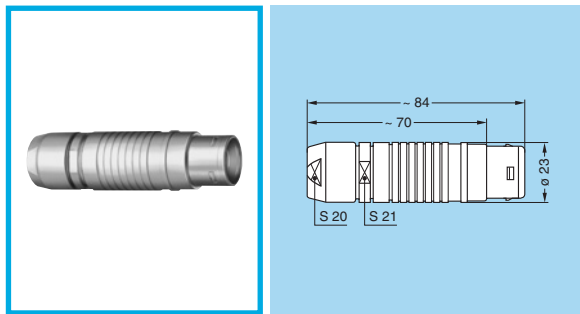
Characteristics	Value	Standard	Method
Impedance	75 Ω	N.A.	N.A.
VSWR (0-500 MHz) <sup>1)</sup>	≤ 1.15	IEC 60169-1-1	-
VSWR (0-1000 MHz) <sup>1)</sup>	≤ 1.20	IEC 60169-1-1	-
Test voltage central contact/screen	2.9 kVAC	IEC 60512-2	test 4a
Test volt. central screen/external screen	1.9 kVAC	IEC 60512-2	test 4a
Rated current	12 A	IEC 60512-3	test 5a
Contact resistance	< 3 m Ω	IEC 60512-2	test 2a
Contact resistance internal screen	< 1.5 m Ω	IEC 60512-2	test 2f
Electrical continuity of the screen	< 1.5 m Ω	IEC 60512-2	test 2f
Insulation resistance	> 10 <sup>12</sup> Ω	IEC 60512-2	test 3a
Watertightness	IP66	IEC 60529	-

Note: <sup>1)</sup> Tests have been carried out with FAZ and FNZ models and a triax 11 group 4 cable.



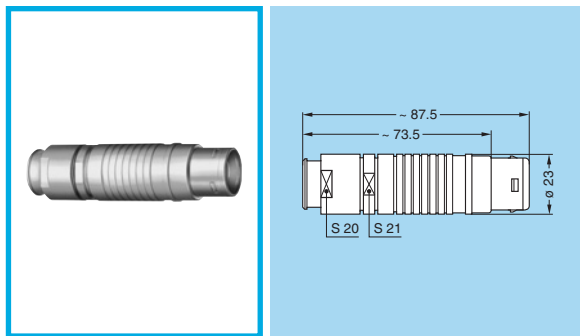
## Recommended cables

Reference	Cable groupe	Reference	Cable groupe
Triax Type A2	3	FMC Triax 8	2
Triax Type B2	7	FMC Triax 11	4
BEDEA Superflex triax 8	2	FMC Triax 14	8
BEDEA Superflex triax 11	4	Fujikura 4.8/1.0 EFTXF	3
BEDEA Superflex triax 14	8	Fujikura 9.6/2.22 EFTXF	8
Belden 8232A	1	Hirakawa Triax 4.8/1.0	2
Belden 8233A	5	NOKIA Triax 8	2
Belden 9192	7	NOKIA Triflex 8	2
Belden 9232	7	NOKIA Triax 11	4
Belden 9267	3	NOKIA Triflex 11	4
NEK 23860	2	NOKIA Triax 11/2	6
NEK 63990	4	NOKIA Triax 14	8



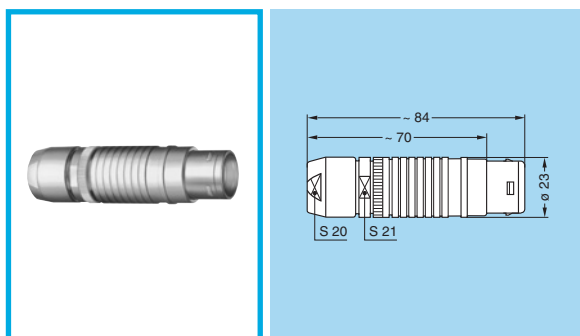
### FAZ Straight plug with cable collet

Part Number	Cable groupe
FAZ.T7.5FT.CC85C	1
FAZ.T7.5FT.CC86C	2
FAZ.T7.5FT.CC90C	3
FAZ.T7.5FT.CC11C	4
FAZ.T7.5FT.CC12C	5
FAZ.T7.5FT.CC13C	6
FAZ.T7.5FT.CC14C	7
FAZ.T7.5FT.CC15C	8



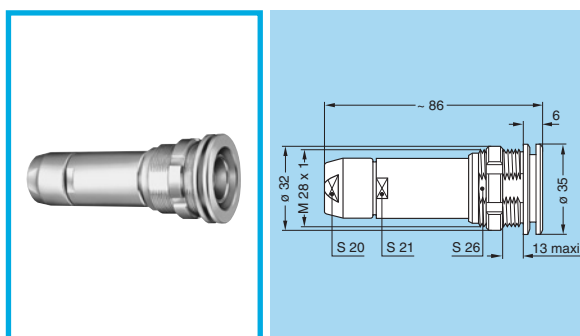
### FAZ Straight plug with cable collet and nut for fitting a bend relief

Part Number	Cable groupe
FAZ.T7.5FT.CC85CZ	1
FAZ.T7.5FT.CC86CZ	2
FAZ.T7.5FT.CC90CZ	3
FAZ.T7.5FT.CC11CZ	4
FAZ.T7.5FT.CC12CZ	5
FAZ.T7.5FT.CC13CZ	6
FAZ.T7.5FT.CC14CZ	7
FAZ.T7.5FT.CC15CZ	8



### FBZ Straight plug with cable collet and safety nut

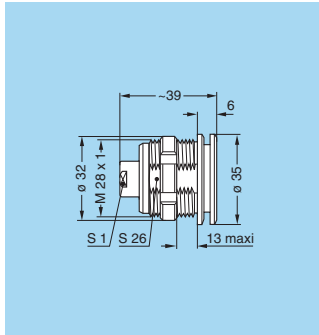
Part Number	Cable groupe
FBZ.T7.5FT.CC85C	1
FBZ.T7.5FT.CC86C	2
FBZ.T7.5FT.CC90C	3
FBZ.T7.5FT.CC11C	4
FBZ.T7.5FT.CC12C	5
FBZ.T7.5FT.CC13C	6
FBZ.T7.5FT.CC14C	7
FBZ.T7.5FT.CC15C	8



### FCZ Fixed socket with cable collet, nut fixing

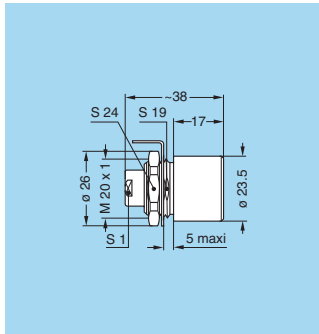
Part Number	Cable groupe
FCZ.T7.5FT.CC85C	1
FCZ.T7.5FT.CC86C	2
FCZ.T7.5FT.CC90C	3
FCZ.T7.5FT.CC11C	4
FCZ.T7.5FT.CC12C	5
FCZ.T7.5FT.CC13C	6
FCZ.T7.5FT.CC14C	7
FCZ.T7.5FT.CC15C	8

Note: All dimensions are in millimetres.



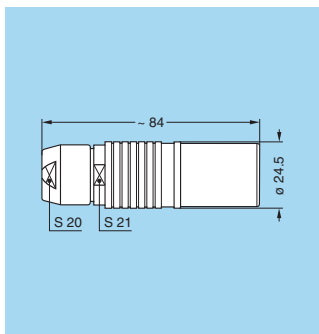
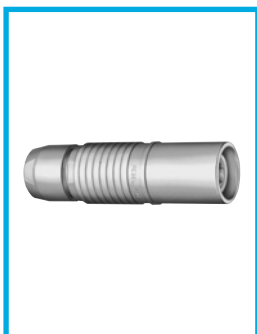
### FEZ Fixed socket, nut fixing

Part Number	S1	Cable groupe
FEZ.T7.5FT.C39C	12	1
FEZ.T7.5FT.C49C	12	2-3
FEZ.T7.5FT.C67C	12	4-6
FEZ.T7.5FT.C84C	13	5-7
FEZ.T7.5FT.C99C	13	8



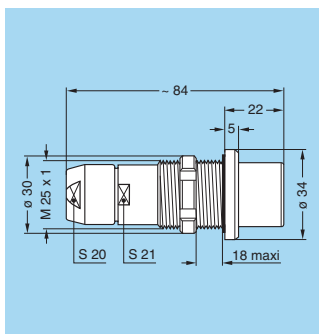
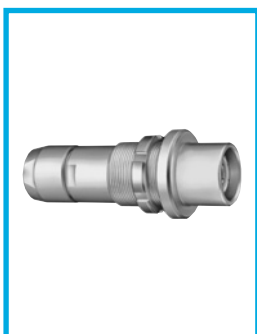
### FNZ Fixed socket, nut fixing, visible shell

Part Number	S1	Cable groupe
FNZ.T7.5FT.M39C	12	1
FNZ.T7.5FT.M49C	12	2-3
FNZ.T7.5FT.M67C	12	4-6
FNZ.T7.5FT.M84C	13	5-7
FNZ.T7.5FT.M99C	13	8



### FRZ Free socket with cable collet

Part Number	Cable groupe
FRZ.T7.5FT.MC85C	1
FRZ.T7.5FT.MC86C	2
FRZ.T7.5FT.MC90C	3
FRZ.T7.5FT.MC11C	4
FRZ.T7.5FT.MC12C	5
FRZ.T7.5FT.MC13C	6
FRZ.T7.5FT.MC14C	7
FRZ.T7.5FT.MC15C	8



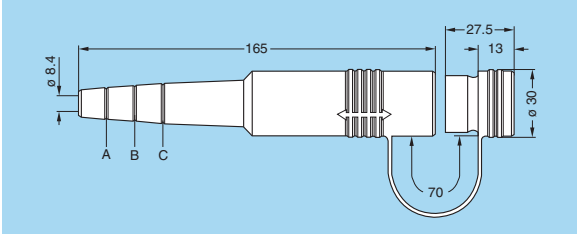
### FSZ Fixed socket with cable collet, nut fixing, visible shell

Part Number	Cable groupe
FSZ.T7.5FT.MC85C	1
FSZ.T7.5FT.MC86C	2
FSZ.T7.5FT.MC90C	3
FSZ.T7.5FT.MC11C	4
FSZ.T7.5FT.MC12C	5
FSZ.T7.5FT.MC13C	6
FSZ.T7.5FT.MC14C	7
FSZ.T7.5FT.MC15C	8

Note: All dimensions are in millimetres.



## Accessories

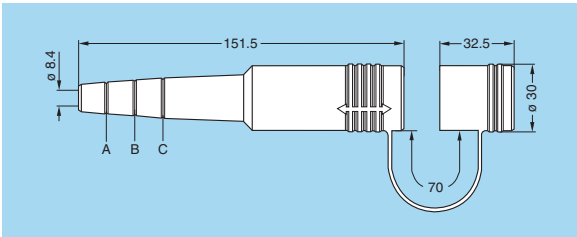


### FGA Bend relief with cap for plug

Part Number	Weight (g)
FGA.085.145.EN	51.0

Cut	Cable $\varnothing$ (mm)	
	Min	Max
-	8.4	10.7
A	10.8	12.7
B	12.8	14.1
C	14.2	16.0

**Note:** This bend relief with cap FGA can only be installed onto a plug FAZ fitted with a nut for a bend relief.



### FGR Bend relief with cap for free socket

Part Number	Weight (g)
FGR.085.145.EN	49.0

Cut	Cable $\varnothing$ (mm)	
	Min	Max
-	8.4	10.7
A	10.8	12.7
B	12.8	14.1
C	14.2	16.0



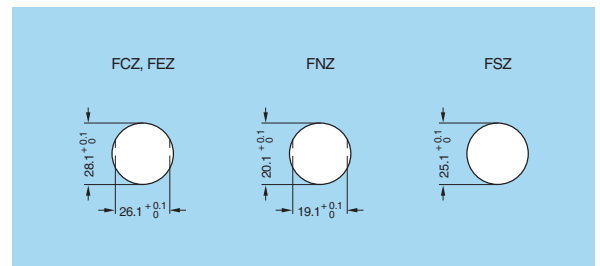
### FCP Spanner for notched nut

Part Number	$\varnothing$ nut (mm)	For model
FCP.030.AZ	30	FSZ
FCP.032.AZ	32	FCZ - FEZ

## Cable stripping lengths

Cable group	Cable stripping lengths (mm)			
	L	S	T	U
1	34	23.0	13	6
2	34	23.0	13	6
3	34	23.0	13	6
4	34	23.0	13	6
5	34	23.0	13	6
6	34	23.0	13	6
7	34	23.0	13	6
8	34	27.5	15	6

## Panel cut-outs



**Note:**

**Inner screen fixing:** For all the models the letter «C» added to the end of the part number means a clamped inner screen. For all the models with cable collet, (FAZ, FBZ, FCZ, FRZ and FSZ) the letter «E» added to the end of the part number means a crimped inner screen. For all the models without cable collet (FEZ and FNZ), the letter «S» added to the end of the part number means a soldered inner screen.

All dimensions are in millimetres.

## LEMO HEADQUARTERS

SWITZERLAND  
LEMO SA  
Chemin des Champs-Courbes 28 - P.O. Box 194 - CH-1024 Ecublens  
Tel. (+41 21) 695 16 00 - Fax (+41 21) 695 16 02 - e-mail: info@lemo.com

[www.lemo.com](http://www.lemo.com)